

# ADCO GOP CAUCUS 2016



## WHAT IS CAUCUS

Caucus is a gathering of neighbors  
It happens every 2 years.  
Anybody can come – the meeting is open  
Registered Republicans there vote for:

- 2 Precinct Committee Persons (PCPs)
  - PCPs = voting members of county GOP
  - PCPs organize their neighborhoods
  - PCPs help keep their neighbors informed
- Delegates (DEL) & Alternates (ALT)
  - DEL/ALT help decide who can be candidates
  - DEL/ALT vote on which candidates can appear on the ballot for the primary

## WHY CAUCUS

**Elected DELs / ALTs get to decide which candidates appear on the ballots that the general population gets to vote on for primaries.**

- Turn your one vote in November into many
- Decide who gets to be on the ballot
- Your involvement influences leadership
- Introduce resolutions that shape party platform
- Sign up to be an election judge
- Take Action **\*\*\* Reclaim your party \*\*\***

**The GOP is not a corporate entity – it is what you make it. BE HEARD!**

## FREE TRAINING

**WE WILL TEACH YOU HOW!**

- 1<sup>ST</sup> Class: **TBD**
- 2<sup>nd</sup> Class: **TBD**
- 3<sup>rd</sup> Class: **TBD**

**Learn how to turn your one vote into 10\***

Arrive 30 minutes early to complete registration materials. Class will last approximately 2 hours.

# EVENT PARTICIPATION DATES

WHAT	WHEN	WHERE	WHY
<b>Precinct Caucus</b>	Tues, March 1st 6:30pm	TBD	<ul style="list-style-type: none"> <li>• Elect your precinct committee people to organize your neighborhood</li> <li>• Become a Delegate / Alt to County Assembly</li> <li>• Indicate interest in being a Del/Alt to Higher Assemblies</li> <li>• Sign up to be an election judge at the polling centers or count room</li> <li>• Introduce resolutions that help craft our party platform</li> <li>• Due to RNC Rules changes, CO will <b>NOT</b> be holding a Presidential straw poll</li> </ul>
<b>County Assembly</b>	TBD	TBD	<ul style="list-style-type: none"> <li>• Elect DEL/ALT to Higher Assemblies (Congressional Dist./State)</li> <li>• County DEL/AL vote which county candidates get to be on the ballot ( Assessor, Coroner, Clerk &amp; Recorder, Commissioners, Sheriff, Treasurer)</li> </ul>
<b>CD 6 &amp; 7 Assemblies</b>	TBD	TBD	<ul style="list-style-type: none"> <li>• CD DEL/ALT vote on which candidates for US Congress gets to be on the ballot</li> </ul>
<b>JD 17</b>	TBD	TBD	<ul style="list-style-type: none"> <li>• JD DEL/ALT vote for the Distract Attorney to the 17<sup>th</sup> Judicial District</li> </ul>
<b>State Assembly</b>	TBD	TBD	<ul style="list-style-type: none"> <li>• State DEL/ALT vote on which state candidates get to be on the ballot (Governor, US Senate, Treasurer, Secretary of State, District Attorney)</li> </ul>



**BE A DELEGATE | VOLUNTEER | BRING YOUR NEIGHBORS |**  
[www.AdamsCountyGOP.com/caucus2014](http://www.AdamsCountyGOP.com/caucus2014) | 303.426.8776

**\*\*Must be a registered Republican to participate\*\***

# CAUCUS EXPLAINED

A caucus is an open public meeting where neighbors gather ever two years, and eligible voters elect Precinct Committee People, Delegates, and Alternates to higher assemblies (explained below). The precinct caucuses are held per state law at 7pm on either the first Tuesday of March or the first Tuesday of February in even-numbered -- general election -- years. (The Feb option is available to both parties in Presidential election years). Anyone may attend (space permitting), but the only people who may vote are the properly and timely registered Republicans from that precinct, which is determined from a list provided by the Adams County Clerk.

**Precinct** is your voting district. Think of it as a small cluster of neighborhoods of around 1500 registered voters. This is the smallest political unit in Colorado. Every 10 years, after the census, there is a redistricting and reapportionment processes that update/redraw the boundaries based on population changes.

**PCP** stands for Precinct Committee Person. These are volunteers elected every 2 years at caucus who organize your precinct and have a vote on the county GOP executive committee. The primary role of the precinct committee person is to help the Republican Party **Get Out The Vote** (GOTV) within their precinct.

**District Captains (DC)** are volunteers who also hold a vote on the county GOP executive committee and they supervise approximately 7 precincts. These are elected every 2 years. DCs and PCPs are charged with the task of running the precinct caucus every two years.

## DECODE YOUR PRECINCT NUMBER



**HOW DO I FIND MY PRECINCT** – visit your county GOP website, contact a party officer, or contact the county clerk and recorder.

**Who are my precinct committee people and District Captain?** Visit your County Republican Party website or contact your county party officers.

**Do I have to wait until 2014 to volunteer to be a precinct committee person or District Captain?** No! There are always openings, but the openings are not advertised. Speak to your District Captain about openings. If he/she doesn't return your call/email, contact someone on the Executive Committee. Start with the Secretary.

**Who should NOT volunteer to be a precinct committee person or a District Captain?** A person without a computer, or who does not regularly use email, should not volunteer. Introverted people would not be ideal. Pessimistic people would be highly discouraged from volunteering. Overcommitted people, and people who do not promptly return phone calls and emails should not apply.

**But I want to volunteer!** There are roles for everybody within the Republican Party, including pessimists and folks who don't use the computer. Just have a chat with your District Captain, or an involved Republican friend, and that will be enough to get you started with volunteerism.

**Delegates** are elected every 2 years at caucus. Delegates attend higher assembly meetings (explained below) every two years too vote on which candidates get to be on the ballot. Becoming a delegate allows you to take your one vote in the primary and one vote in the general and turn it into 10+ votes. (See Assembly process below). Delegates also vote on resolutions that shape the county, state, and national GOP platforms. Due to RNC Rules changes, this year Colorado will NOT be conducting a Presidential straw poll as to avoid having to prematurely bind delegates to a candidate.

**NOTE:** *The delegates / alternates for higher assemblies / conventions must be elected from the pool of people who are elected as County delegates / alternates. **To attend a higher assembly or convention, one must first be a County delegate or alternate.** Also, in a Presidential election year, the same delegates attend both **assembly and convention** (which are held at the same time and place.)*

**Alternates** are people who didn't quite get enough votes to be elected delegates. When alternates attend various assemblies, some of them will be selected to become delegates. (This happens because not all the elected delegates attend the Assemblies, and therefore there are openings for additional delegates on the day of the Assembly.)

**NOTE:** **Alternates are expected to attend assemblies / conventions even if their precinct Delegates attend.** Alternates may become "alternates at large" and may be assigned a voting seat outside their precinct in the absence of other delegates.

### **How can I increase my chances of being elected as a precinct committee person or as a delegate?**

1. Prior to caucus, periodically assist your local precinct committee person or District Captain with marketing tasks, then ask for their endorsement for your marketing flyer (see step 5).
2. Review personal hygiene: get a fresh haircut and get your teeth cleaned if they're stained, or if you haven't visited the dentist in over a year.
3. Dress as nicely as possible when attending caucus.
4. In the weeks & months prior to caucus, invite all of your neighborhood Republican friends to join you at caucus. They will help you get elected!
5. Bring along multiple copies of a marketing flyer which introduces you to the other caucus attendees. Make sure the flyer clearly states that you want to be elected as a precinct committee person or a delegate. Add a little personal background which relates to politics, achievements, or related skills. Add recommendations from high-profile Republicans if possible.
6. When it's time for the election, be the first person to jump up and give a brief campaign speech. The first speakers have an advantage.

### **The following activities take place at Caucus:**

1. Registered Republicans **vote for two precinct committee people** to run the precinct.
2. Registered Republicans **vote for delegates and alternates** to attend the County Assembly. The numbers of Del/Alt vary by precinct and are congruent with the size of the precinct based on previous voter turnout. You may vote for someone who is not present at caucus.
3. The chosen delegates and alternates **MUST indicate their interest in being delegates to "higher assemblies"** by signing a form *at caucus* stating their intentions, and paying the corresponding fees at caucus. Fees vary, but on average, to run for everything costs approximately \$60 in Adams County as of 2014. (These intentions are sorted out at County Assembly via a voting process.) **Delegates to these assemblies will nominate candidates for public office,** and decide which ones get on the primary ballot. Don't get stuck voting for whoever ends up on the ballot. Get involved and become a **Delegates; they are instrumental in deciding who gets to run for office!**
4. Discussion of political issues and speeches on behalf of candidates.
5. Attendees may volunteer to be election judges.
6. Attendees may introduce Resolutions which will be presented for consideration at the County Assembly, and may ultimately be added to the Party Platform.

**RUNNING FOR OFFICE** Any registered Republican can run for an elected office as long as certain age and residency requirements are met. If there is more than one Republican candidate running for an office, there will be an election at an assembly to determine which candidate(s) will be put on the Primary ballot. All registered Republicans can then vote in the Primary election to determine who will represent the Republican Party in the final election in November.

**CANDIDATE QUALIFICATIONS** Any candidate who receives at least 30% of the assembled Delegates' votes is automatically placed on the Primary ballot. Any candidate receiving less than 30% but more than 10% of the Delegates' votes will only be placed on the ballot if able to obtain a minimum number of signatures on a petition to nominate that candidate for office. These signatures must come from the qualified registered voting constituency and the number required varies with the office. Any candidate receiving less than 10% of the vote is not eligible to run in the Primary race. This is true for every assembly. More specific information can be found at the Colorado Secretary of State's page on Voting and Elections.

**COUNTY ASSEMBLY** The County Assembly is a meeting to determine who will be nominated to run for county office and thereby placed on the Primary ballot for county-specific offices such as Sheriff and Coroner. This is determined by a small number of voters called Delegates, who are elected at precinct caucus to represent their precinct in the county. Candidates receiving 30% or more of the delegate vote at assembly get placed on the primary ballot. Candidates receiving 10-29% of the delegate vote may continue to the primary election by petitioning on the ballot. Candidates receiving less than 10% of the delegate vote do not qualify to continue in the process and are disqualified as a candidate for that respective election cycle.

**STATE HOUSE AND SENATE ASSEMBLIES** Precincts also elect delegates to their house and senate district assemblies. Their assemblies are actually conducted within the confines of the county assembly. Therefore delegates to county are automatically elected to vote in their senate or house districts. If you live in a senate or house district that shares a district with other counties, your caucus will be charged with electing delegates/alternates specifically to that "multi-county" assembly. Multi-county assemblies are held in its own venue on a specific time and place agreed upon by both districts.

**CONGRESSIONAL DISTRICTS** Coloradan's send 7 Congressmen to Washington DC to represent us in the US House of Representatives. These representatives come from 7 distinct Congressional Districts (CDs). Each district has an assembly to select which candidates will be presented to voters on the Primary Ballot. Voters only vote for the specific district in which they reside. So if you live in CD7, you will only see the candidates for that district on your ballot at the Congressional Assembly.

**CONGRESSIONAL ASSEMBLY** This gathering is held 10-30 days after precinct caucus, every two years. Anyone may attend (space permitting), but the only people who may vote are the people who were elected at the caucuses to be Delegates to the County Assembly and Alternates elevated to Delegate status to replace vacant / absent Delegate positions according to the replacement formula adopted by the ACRC Executive Committee. The purpose of a congressional assembly is to:

1. To designate candidates for the *Adams County* primaries (all county offices.) Any qualified candidate may be designated to the primary ballot. A candidate must receive 30% in order to go on the ballot.
2. To elect or ratify Delegates and Alternates to the State, multi-county House and multi-county Senate District, Judicial District, and Congressional Assemblies / Conventions.
3. To ratify PCPs who were elected at caucus
4. To consider resolutions from caucus and vote on them. Resolutions that pass become part of the county GOP platform and go on to the State Assembly/Convention to be voted on for the State GOP platform.

*NOTE: The only time "Conventions" are held (and they are held concurrent with Assemblies) is during a Presidential election year.*

NOTE: "Designees" are those placed on the Primary ballot. "Nominee" is the one that wins a Primary election. "Candidate" is a generic term and may refer to one who is running for election, is a designee, a nominee, or an incumbent.

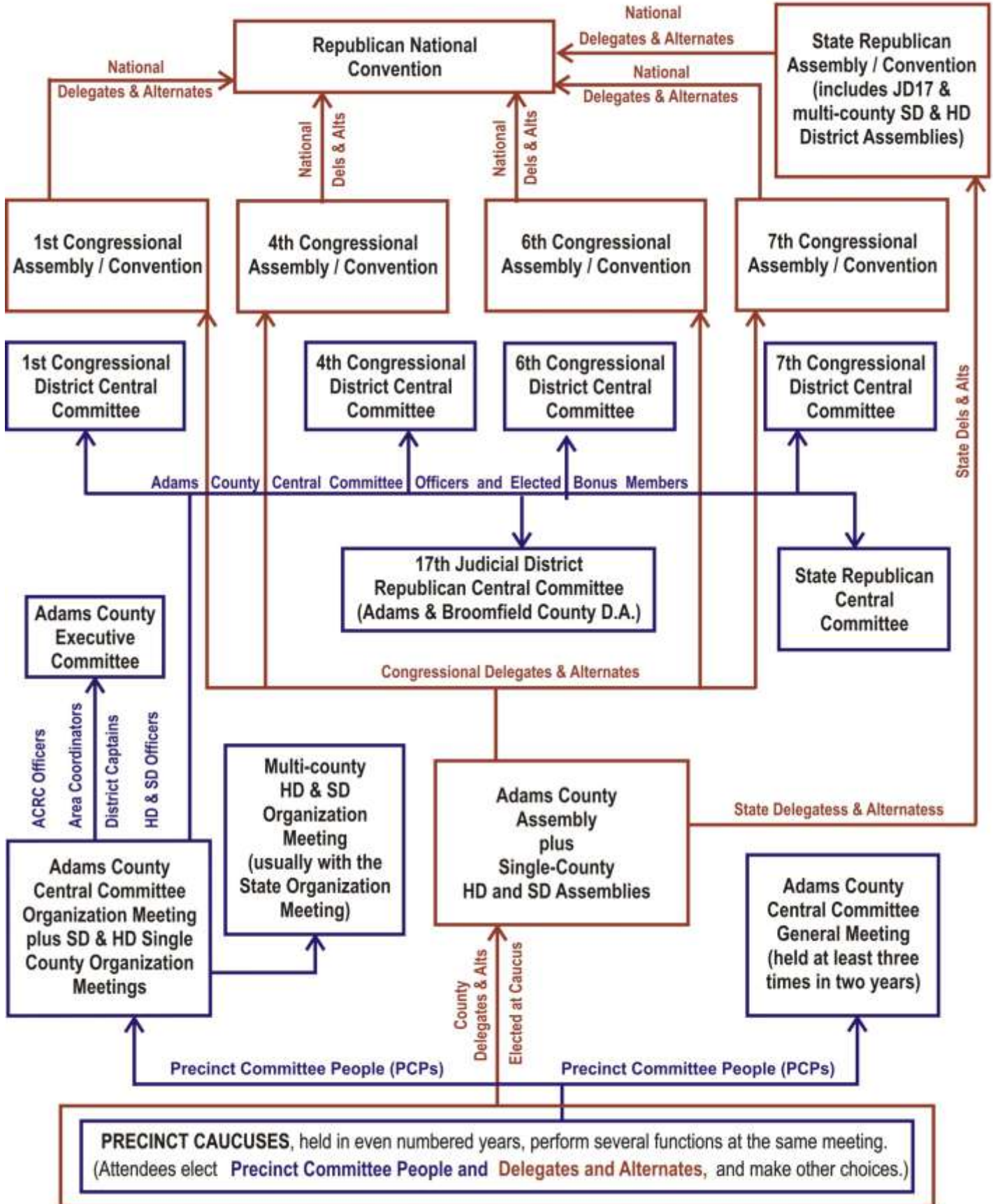
**STATE ASSEMBLY/CONVENTION** The State Assembly is similar to the County Assembly except that Delegates vote on candidates running for statewide offices such as Governor and U.S. Senate. Voting members include the delegates to State elected at the precinct caucuses and ratified at the County Assembly OR delegates to State elected at the County Assembly,. (Remember that alternates must also attend, even though they may not be able to vote.) For other voting members, see the CRC bylaws. Therefore, the Delegation is from all over the state of Colorado to decide which state candidates get ballot access. This Assembly also determines which of the submitted platform resolutions will become state GOP platform and then go on to be recommended to the Republican National Committee. If it is a Presidential election year, the National Delegation is elected at the State Convention (as opposed to Assembly in non-presidential election years) which convenes immediately following the Assembly.

**JUDICIAL ASSEMBLY** This gathering is usually held in conjunction with the County Assembly. All delegates to the County Assembly are automatically the delegates to the Judicial District Assembly.

**NATIONAL CONVENTION** This is convened in the late summer of a Presidential election year for the purposes of officially nominating and electing a candidate for US President and Vice President, and they ratify the national GOP party platform. Delegates to the National Convention are elected at the State Convention. There is significant costs associated with being a delegate to the National Convention and include travel and lodging. Average costs to participate, if elected, is approximately \$3000.00.

# Republican Party Participation From the Ground Up, for the Adams County Republican Central Committee

(Chart & Associated Notes Created by Patty McCoy, 2013)



# ADCO GOP CENTRAL COMMITTEE

The AdCo GOP is the official Adams County arm of the Republican Party. We are mandated by state statute to perform certain functions within the party such as planning and executing precinct caucuses and the county assembly. We also perform voluntary functions within the community. The organization is run by elected members of the **Central Committee** and its Bylaws. This is an all-volunteer organization. It takes many volunteers who give of their time and other resources to promote Republican values. Below are brief descriptions of each position in the Central Committee. We welcome you to join us. Every volunteer makes a difference!

**ACRC ORGANIZATION MEETING** The Adams County Republican Central Committee (ACRC) Organization Meeting is held between February 1 and February 15 of odd-numbered years. Anyone may attend (space permitting), but the only people who may vote are the voting members of the ACRC: All AdCo PCPs, DCs, the Chairman, Vice Chairman and Secretary of the ACRC, and the elected Republican federal, state, and county officials who reside in Adams County. The purpose of this gathering is:

1. To elect AdCo GOP Chairman, Vice Chairman, and Secretary to serve two-year terms
2. To elect DCs to serve two-year term for each district. Districts are determined by the ACRC Executive Committee. DCs oversee 4-7 precincts on average and their duties specified within the County GOP bylaws include (but are not limited to) training PCPs, recruiting people to fill vacant PCP positions, and distributing caucus materials. DCs also serve as a member of the AdCo Executive Committee.
3. To elect House District Chairman, Vice Chairman, and Secretary to serve two-year terms
4. To elect Senate District Chairman, Vice Chairman, and Secretary to serve two-year terms
5. To elect county **Bonus Members** for State Central Committee and Congressional Central Committees. The number of Bonus Members allocated to Adams County varies, and is set by the State Party, based on the previous voting for Republican candidates (i.e., President or Governor) for Adams County relative to other counties.
6. To ratify a Vacancy Committee Chair and Committee(s)
7. To conduct other business which may properly come before the meeting.

**NOTE:** A District Captain does not have to be a PCP in order to be elected. He/she must only be a registered Republican, and should reside in the DC District in which he/she is being elected.

**NOTE:** County Officers (Chair, Vice-Chair and Secretary) are also members of the State and each Congressional Central Committee

## Precinct Committee People (PC)

PCs are elected by their neighbors at caucus and serve for two years. They are responsible for organizing the precinct block workers and coordinating events and GOTV (get out the vote) efforts at the local level. They are also responsible for bringing the paperwork to caucus and helping the chairman run it. This is technically the lowest rung on the political ladder, and as such is its most important position. It is essentially the grassroots level that connects directly to voters.

## District Captain (DC)

Precincts are organized into Captains Districts. Each Captains District is comprised of 4-10 precincts. Every February of odd numbered years (in between election years) the Central Committee holds a meeting and Precinct Committee People elect two DCs from the Central Committee within their district. The role of DC is essentially one of middle management. They are responsible for organizing the PCs and act as a liaison between the PCs and Area Coordinators or Candidates.

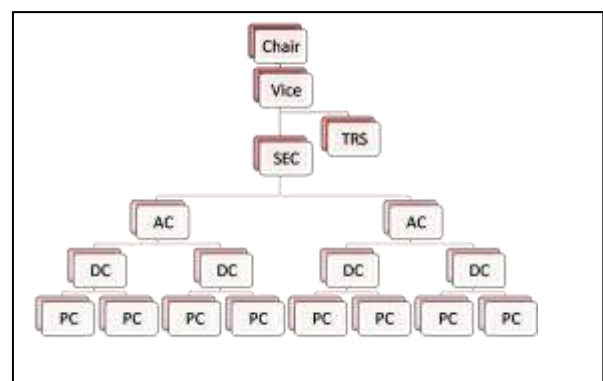
## Officers

The officers of the party consist of Chair, Vice-Chair, and Secretary. They are elected to a term of two years by members of the Central Committee every odd year.

## Appointed Members (no voting rights)

**Treasurer** The treasurer handles the finances of the organization.

## Area Coordinator (AC) (no voting rights) TBD



# ADCO GOP EXECUTIVE COMMITTEE

This is a regular, on-going meeting to be determined and called by the ACRC Chair; this meeting is typically monthly and held the second Tuesday of the month. Anyone can attend, space permitting, but the voting membership consists of the ACRC Chair, Vice Chair, Secretary, and Treasurer, the Area Coordinators (ACs) which are appointed by the Chair, the District Captains (DCs), House District and Senate District officers, and all elected officials residing in Adams County. The purpose of this meeting is:

1. To serve as an advisory committee to the Chairman and to perform other functions prescribed by the Chairman or ACRC bylaws.
2. To ratify the budget by July 1<sup>st</sup> of each odd-numbered year
3. To ratify nominees to fill vacant ACRC officer and PCP positions
4. To decide via majority vote if sufficient evidence exists to declare a vacancy in an office due to permanent absence or disability.
5. To hear and determine party controversies (other than delegate contests) subject to review of the ACRC
6. To consider/discuss issues, plans, dispense information, conduct training, etc.

# ADCO GOP CENTRAL COMMITTEE MEETING

This meeting is to be announced, but is often held in the Fall of odd-numbered years. Anyone may attend, space permitting, but the only people who may vote are the voting members of the ACRC, including all AdCo GOP PCPs, DCs, the Chairman, Vice Chairman, and Secretary of the ACRC, and all elected Republicans residing in Adams County. The purposes of this meeting vary and may include general business, training, amendments to the ACRC bylaws, discussion, etc. The State GOP mandates that every county party central committee convene a minimum of 3 county central committee meetings in a 2-year period.

# STATE CENTRAL COMMITTEE MEETING

The Organizational meeting of the Colorado Republican Central Committee (CRC) is held between Feb 15 and April 1 in odd-numbered years. (Note this is right after the County Organization meetings.) The Pre-Assembly / Pre-Convention meeting is held in even-numbered years on the day preceding the State Assembly /Convention. A minimum of one additional meeting is required within every 2-year period. Anyone may attend, but only the following may vote: the Chairman, Vice-Chairman and Secretary of the CRC; the Chairman, Vice-Chairman and Secretary of each Republican County Central Committee and Judicial District Central Committee; elected Republican US Senators and Representatives; elected Republican State officials and elected Republican District Attorneys; the presiding state officer of each nationally recognized Republican auxiliary with a chapter in Colorado; the Republican National Committeeman and Committeewoman for Colorado; and the Bonus Members that were elected at the County Organizational Meetings. The purpose of the Organizational Meeting are to elect a Chairman, Vice-Chairman and Secretary of the CRC, and to conduct other business that may properly come before it. The purposes of the Pre-Assembly / Convention Meeting are to hear any and all contests of persons claiming seats in the Assembly or Convention, and to conduct any other business placed on the call by the Chairman. The third required meeting may be for various purposes.

NOTE: As at the County level, there is also an **Executive Committee at the CRC level**. Its purposes are roughly the same as those of the County Executive Committee. Some of the voting members are members by dint of their office, some are appointed, by the State GOP Chair, from among the County Chairmen, and there is one rep elected from and by each of the US Congressional Districts. The CRC Executive Committee meets at least six times per year. (See Article IX of the CO CRC bylaws.)

# CONGRESSIONAL DIST. CENTRAL COMMITTEE

(Please see the specific bylaws for each of the Congressional Districts. The following is general information, and it is incomplete):

**When:** The organization meeting is usually in March. (It must be held before the State Central Committee meeting.)

**Where:** To be announced.

**Who:** Bonus Members, elected at the County Organization meeting, who reside in the particular Congressional District; County Chairmen, Vice-Chairmen, Secretaries from counties in the District.

**Purpose** of the Organization meeting:

1. To elect a Chairman, Vice Chairman and Secretary for the District.
2. To elect a person from that District to serve on the State Executive Committee.
3. To address any other business, e.g., bylaws.